

HI·MACS

The shape of your ideas

Product collection 2024/2025

HIMACS. **Perfect for kitchens** **and bathrooms.**

Solid Surface Material

Nowhere does quality count more than in the kitchen.

Fine culinary artistry is celebrated in the kitchen. The demands are often exacting when it comes to handling high-quality foods and top kitchen equipment. The requirements in terms of functionality, durability, robustness, as well as aesthetics and comfort, simply couldn't be more demanding: right here in the heart of the house.



What's the perfect material for bathrooms?

The bathroom is the one room where a feeling of wellness and tranquility is essential. The ideal material to help achieve this should be pleasant to the touch, extremely hygienic and, naturally, waterproof. But once these practical considerations have been addressed, it also needs to be malleable and flexible so that every design idea is possible: from simple straight lines, to dramatic and opulent visions. HIMACS is the perfect material to meet all these conditions!



HIMACS inspires in the kitchen.

HIMACS is hardwearing and resistant

- HIMACS is 100% water-resistant
- HIMACS is resistant to almost all commercial household chemicals, and everyday stains such as fruit acid or red wine
- HIMACS is scratch-resistant and can be repaired in the event of small scratches – without the need to call in a tradesman
- HIMACS is heat-resistant thanks to new Thermalcure-technology

HIMACS is very easy to clean

- HIMACS can be cleaned using a moist cloth and commercial detergent, removing almost all dirt without leaving any residue
- HIMACS is hygienic and can be assembled without the need for visible joints, preventing germs, bacteria and pathogens accumulating in the first place
- HIMACS offers a wide range of sinks and basins, which can also be seamlessly integrated with the worktop

HIMACS looks fantastic

- HIMACS has a natural matt satin finish, which can be given a high-gloss polished finish on request
- HIMACS offers a broad selection of attractive shades – elegant solid colours in classic shades and new trend colours, added every year – as well as many natural stone designs
- HIMACS can be machined just like hardwood or three-dimensionally moulded, and also offers the option of creating spectacular lighting effects using rear-milled cut-outs



Everything leads to the use of HIMACS in the bathroom.

HIMACS is easy to use

- HIMACS is 100% water-resistant
- HIMACS is resistant to almost all commercially available household chemicals
- HIMACS is scratch-resistant and can be repaired in the event of small scratches – without the need to call in a tradesman

HIMACS is very easy to clean

- HIMACS can be cleaned using a moist cloth and commercial detergent, removing almost all dirt without leaving any residue
- HIMACS is hygienic and can be machined without the need for visible joints, preventing the build-up of germs, bacteria and pathogens
- HIMACS offers a wide range of round, angled or oval wash-basins, which can also be ultra-hygienically and seamlessly integrated or installed as fashionable topmounted basins.

HIMACS looks amazing

- HIMACS has a matt satin finish with an extremely pleasant feel: as if designed specifically for bathrooms – which can be given a high-gloss polished finish, on request
- HIMACS offers a generous selection of attractive shades: countless elegant shades of white and more solid colours in classic shades and new trend colours, added every year
- HIMACS can be three-dimensionally moulded, offering the option of creating spectacular lighting effects using rear-milled cut-outs



TV House - Design: Bruno Vanbesien Architects |
Material: HIMACS S028 Alpine White, S012 Babylon Beige |
Photographer: Tim Van De Velde

In the kitchen the words 'quality' and 'detail' define their meaning.



Apart from a number of uni-colours – including several shades of white – the extensive colour range also includes many attractive stone textures, following to the current trend for natural colours and materials in kitchen design.



HIMACS Aurora Modern Grey M626

Extensive surfaces without visible joints make working in the kitchen a veritable pleasure.



Photographed by Atwargarde



Flushmounted sinks and basins, milled draining grooves, three-dimensionally moulded elements: the range of options for creating design features with HIMACS is almost limitless.

HIMACS transforms every bathroom into your very own personal oasis of comfort.



The topmounted basins in the HIMACS collection combine maximum bowl size with elegant, sleek lines.



This comfortable shower is completely manufactured from HIMACS, creating a hygienic, easy-care zone with a maximum "feel-good" factor.

All the functional elements in this minimalist elegant bathroom were individually designed with HIMACS: the washstand with its dramatic double sink, furniture fronts with bevelled handles, and the room-partition that supports the washstand whilst at the same time forming the shower cladding.



Beautiful to install: baths and shower trays made of HIMACS

Good architecture is the result of a harmonious relationship between form, colour and function. Function in particular is determined by the materials used. HIMACS in the bathroom is an unbeatable combination: thanks to the flush-mounted installation, extremely hygienic units are created, looking as if from a single casting and also easy to clean and maintain.

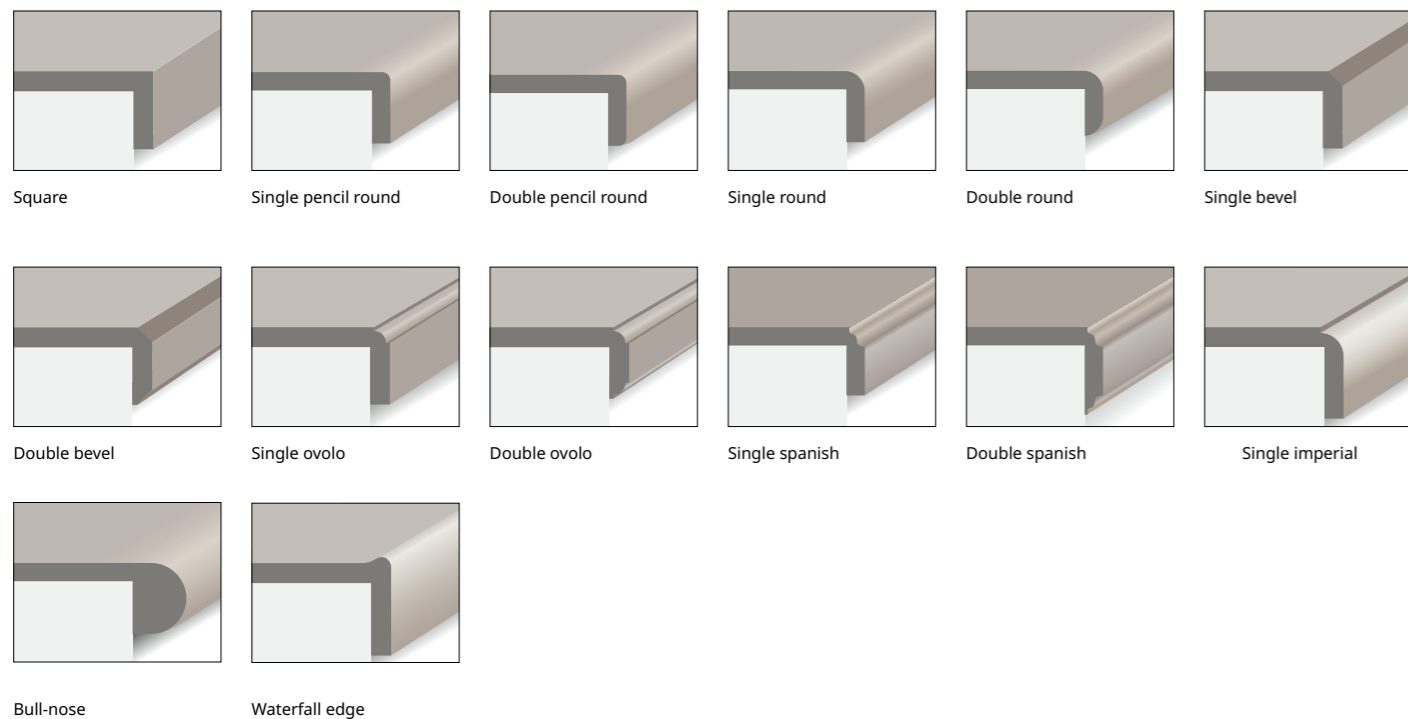
The pleasant, warm feel and silky matt elegance are the best solutions for a bathroom. HIMACS product range for bathrooms includes shower trays and baths that can be integrated seamlessly, and ensure that the bathroom is a serene, harmonious place to relax.



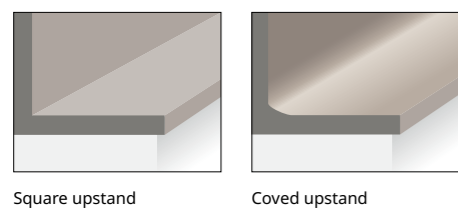
Straight, curved, rectangular, baroque ... any shape you can imagine.

Due to the highly flexible manufacturing options of HIMACS your dealer can offer a wide range of attractive and functional edge-treatments and hygienic splashbacks for your kitchen. Here you can see a small selection of the various possibilities

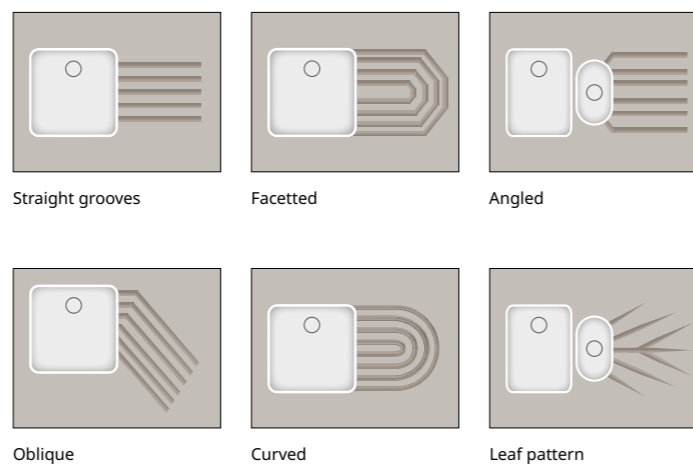
Edge profile examples



Splashbacks



Drainer groove examples



Sinks and Basins

Creative designers have every option at their disposal to create washrooms, kitchens, hospitals and much more with the extensive range of HIMACS basins and sinks.

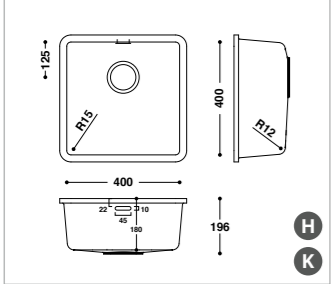
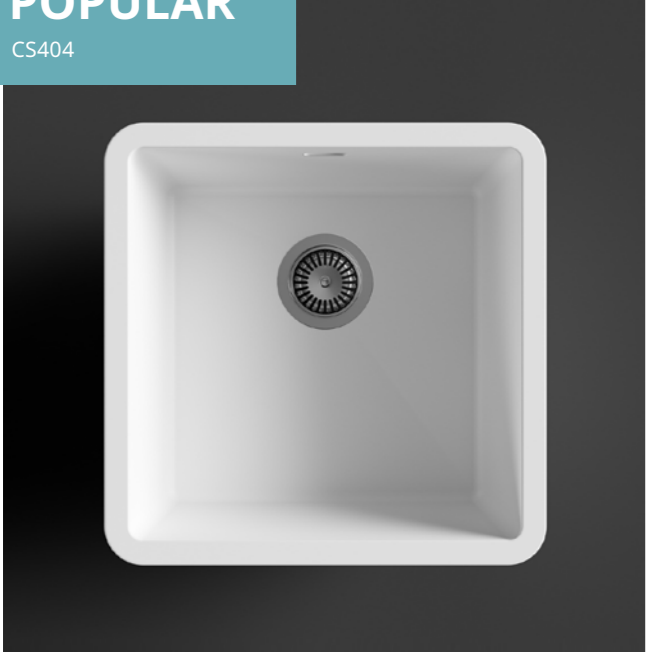


Sinks.

Spacious and elegant.

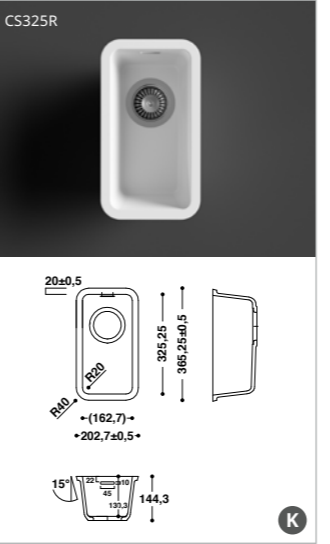
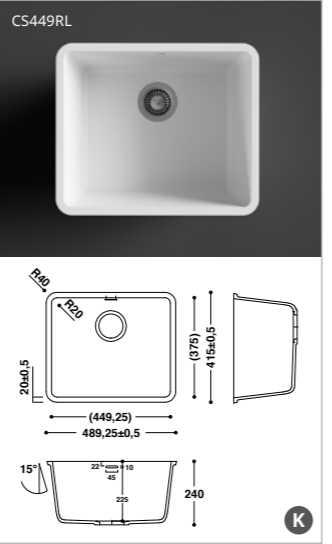
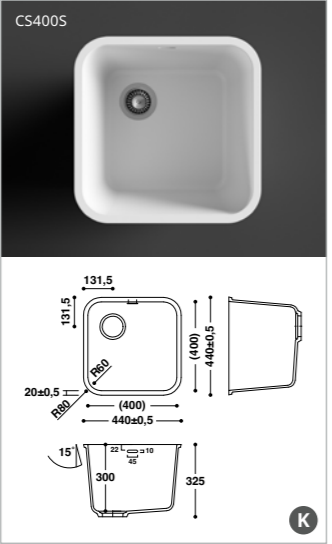
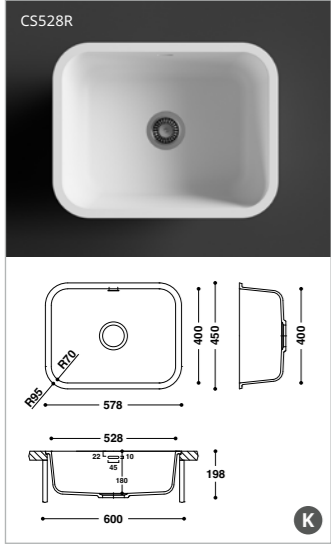
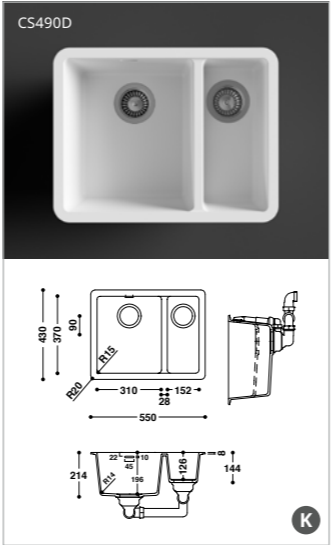
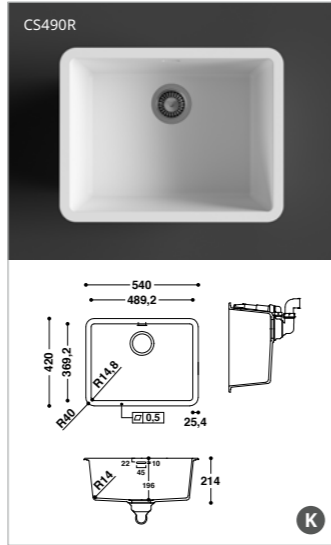
MOST POPULAR

CS404



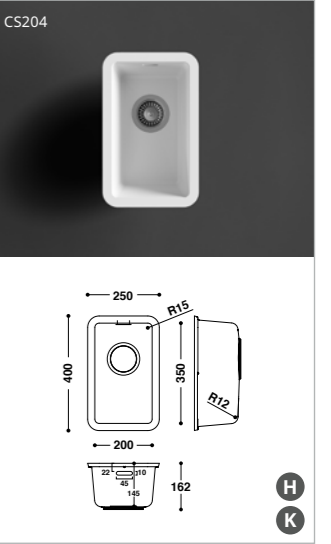
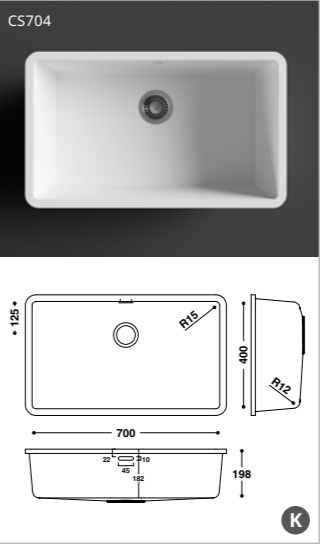
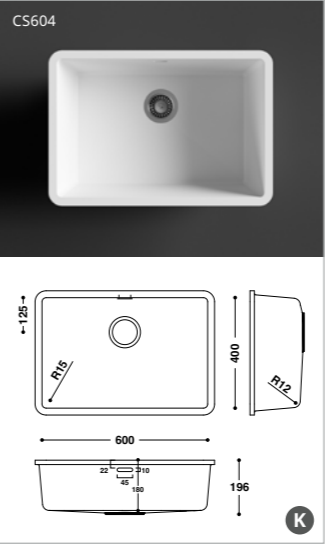
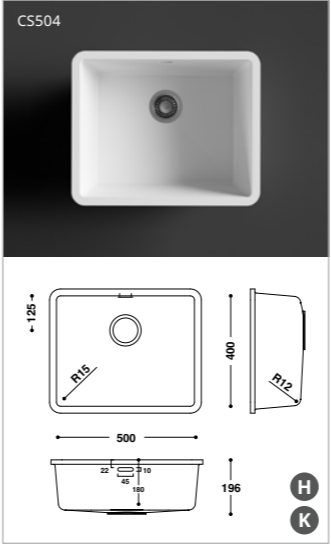
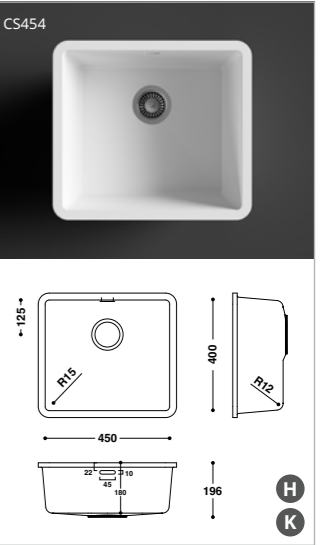
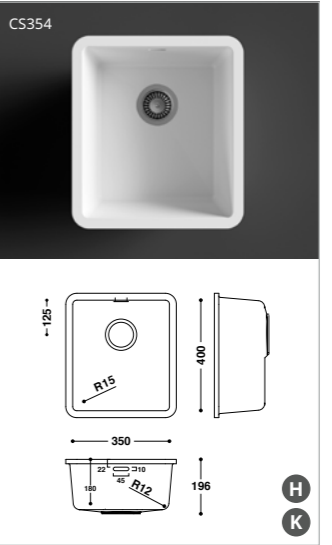
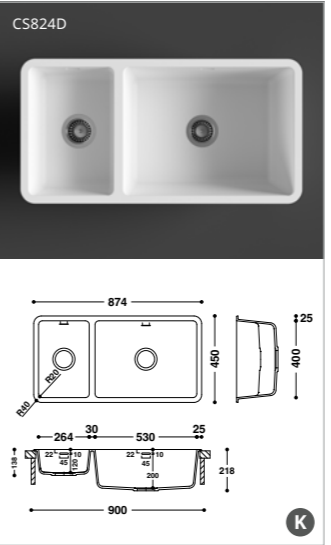
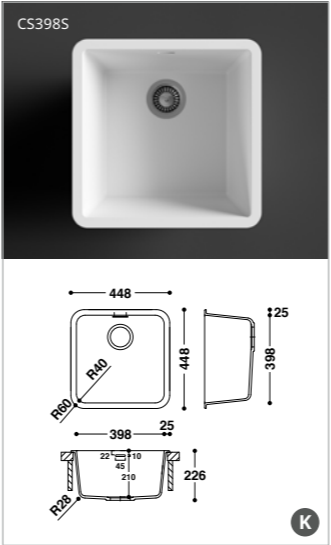
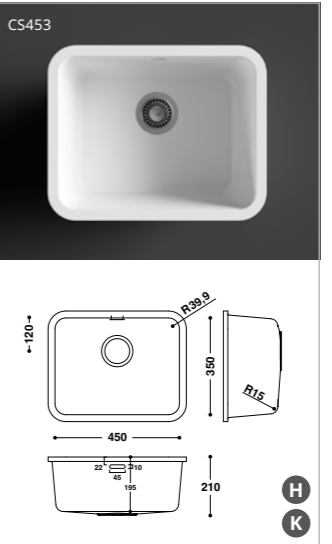
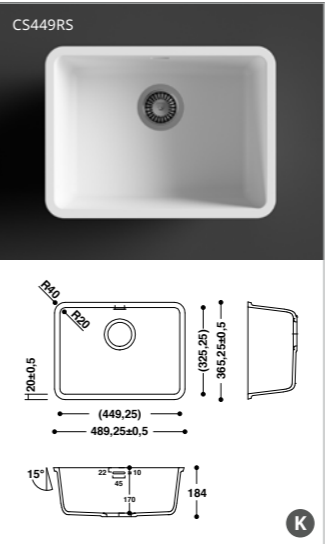
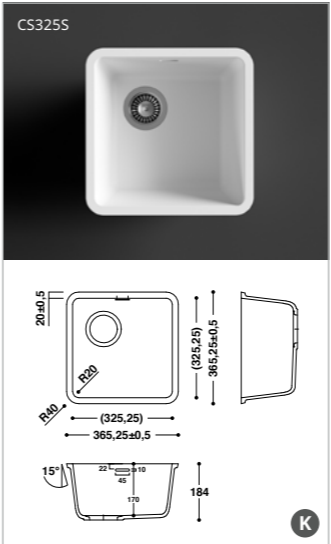
HIMACS Sinks for kitchen and healthcare applications

Spaciousness, durability and hygiene are all key quality features when choosing a sink for the kitchen or healthcare facility. The top quality models in the HIMACS range offer it all. These coordinated sinks are installed as undermounted creating extremely hygienic sink areas. Special custom-made creations are also an option.



- The HIMACS sinks CS824D, CS490D are only available with overflow.
- All other HIMACS sinks are available with and without overflow.

Click here and discover our complete product range on lxhausys.com/eu



K suitable for kitchen

H suitable for healthcare

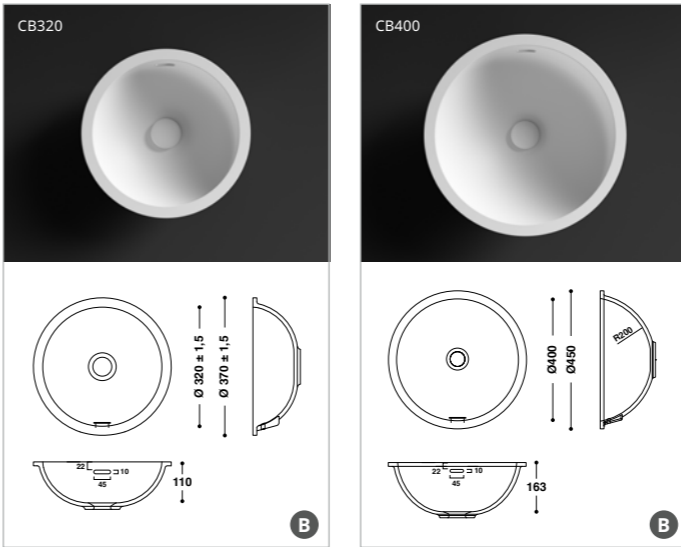
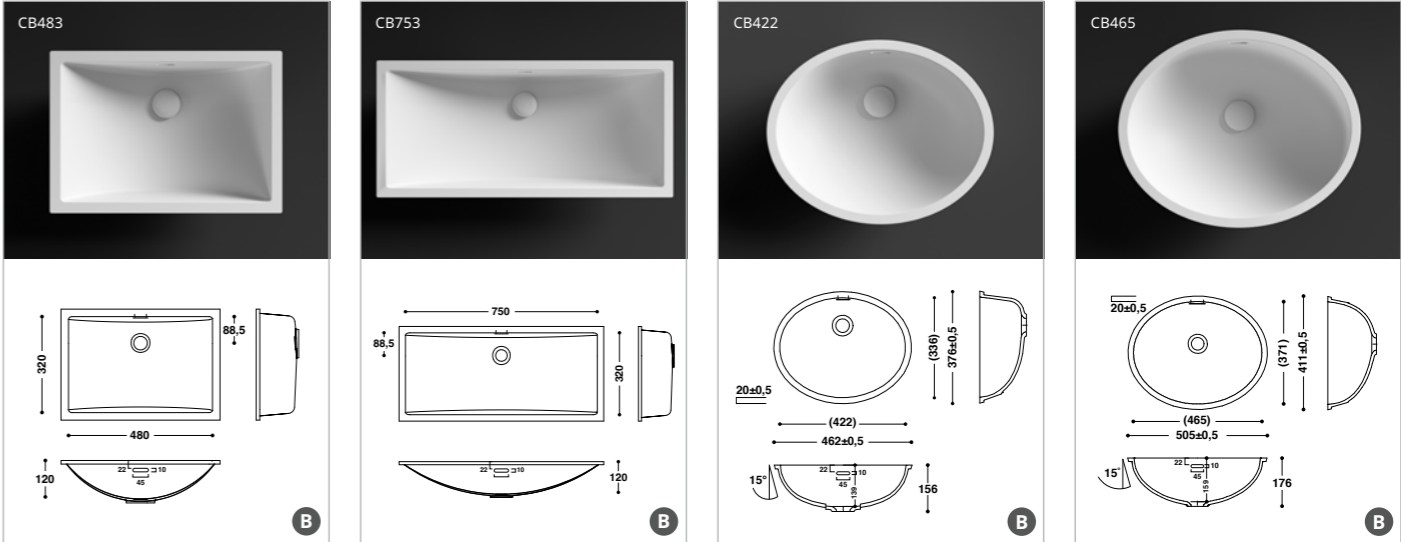
Basins.

Best design for the bathrooms.

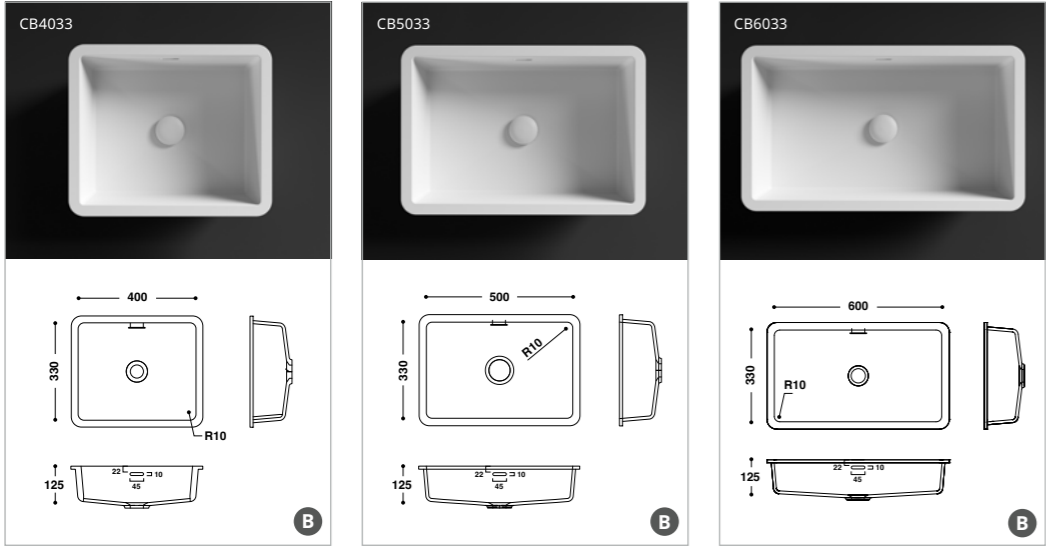
Rectangular or oval, deep or shallow basins, small bathrooms or comprehensive solutions. The HIMACS range offers creative architects and bathroom planner's numerous options.



HIMACS Basin CB 4430



Drain hole valve with solid surface cover is also available and needs to be purchased separately.



HIMACS Unique Models

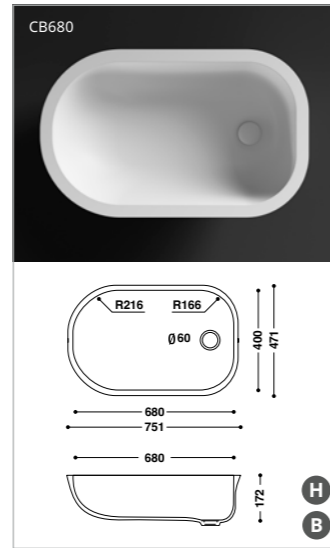
- The HIMACS basins CB4430 comes with a solid surface valve included that is flush with the bottom of the basin



B suitable for bathrooms

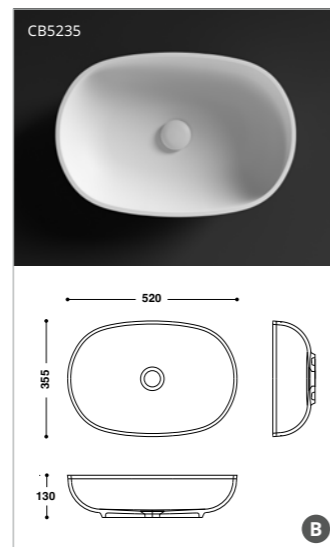
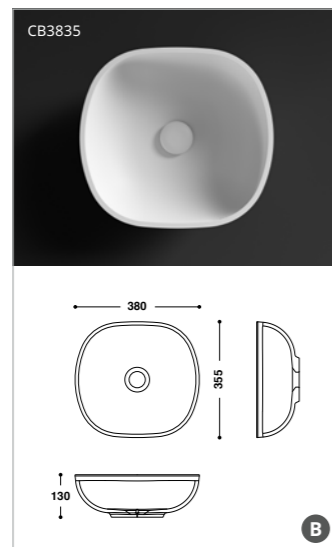
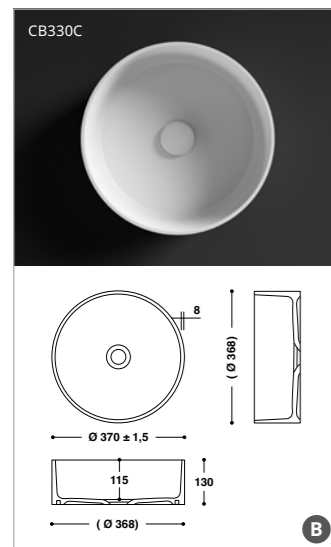
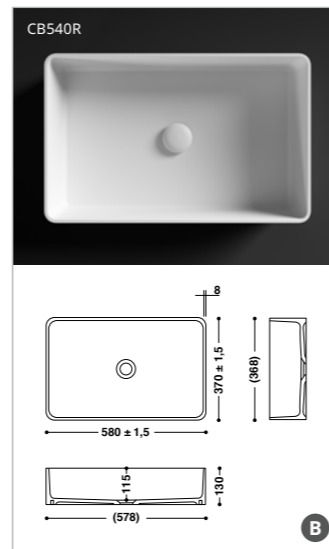
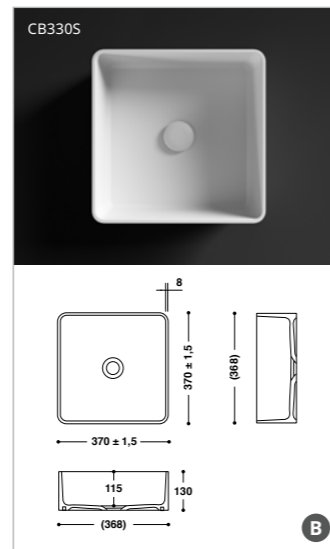
HIMACS Baby Bath

The neo-natal ward of a hospital is the one place where maximum hygiene, ergonomics and warmth are essential. The ergonomic shape of the bowl is specifically designed for babies.



Top mount installation

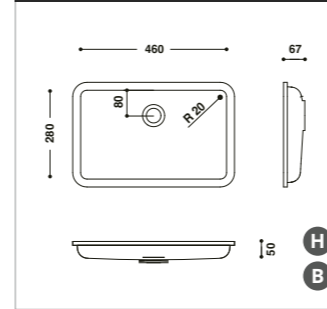
These basins are HIMACS answer to the trend for linear designs. All three basins were exclusively designed as top-mounted bowls. The narrow radius of the two rectangular models creates exceptionally spacious basins.



B suitable for bathrooms **H** suitable for healthcare

NEW PRODUCT

CB4628



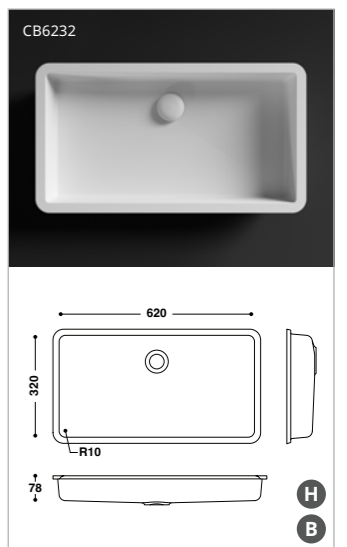
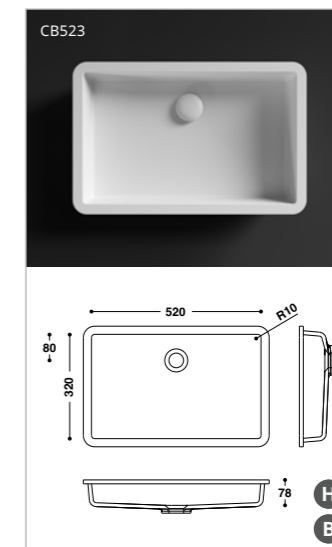
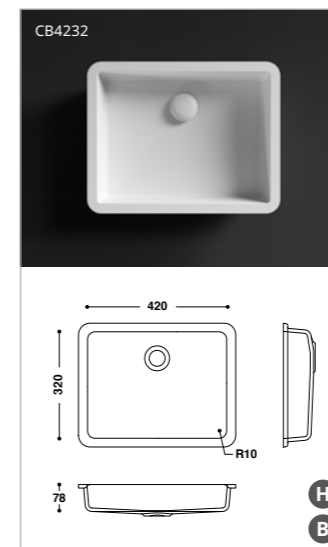
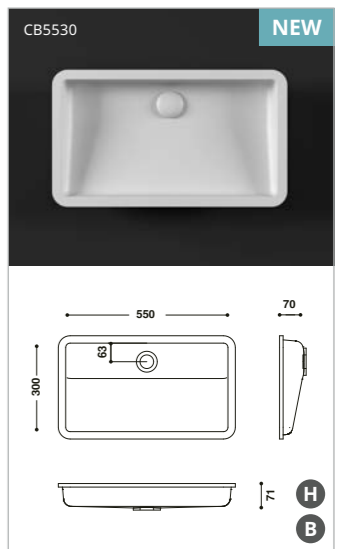
The models of the PRM series all have very shallow basins. The special design allows someone in a wheelchair to roll up to the sink and get close, for example.

- The HIMACS basins CB523, CB4232, CB6232, CB5530, CB4628, the HIMACS Top Mounted Basins Collection and the HIMACS Baby Bath are only available without overflow.
- All other HIMACS basins are available with and without overflow.

B suitable for bathrooms **H** suitable for healthcare

HIMACS PRM

for persons
with reduced
mobility



NEW
PRODUCTS



HIMACS Basin CB 4628



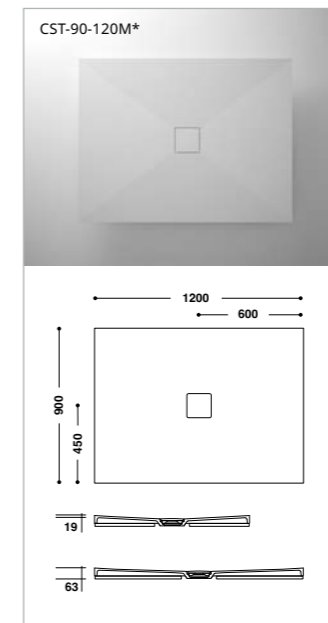
HIMACS Basin CB 5530



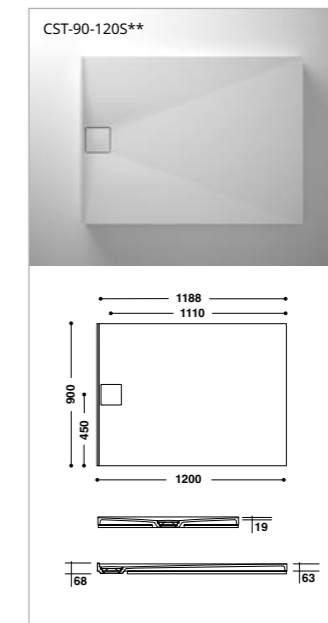
Shower Trays and Baths made of HIMACS

HIMACS Shower Trays

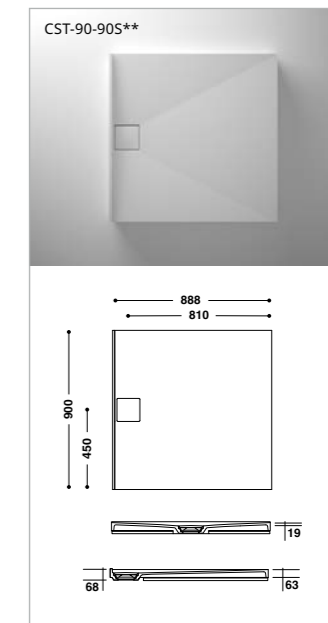
Three sleek, elegant models expand the possibilities for creative architects and designers to fit out the entire bathroom with HIMACS. The warm, soft-matt feel makes it very pleasant to touch HIMACS directly.



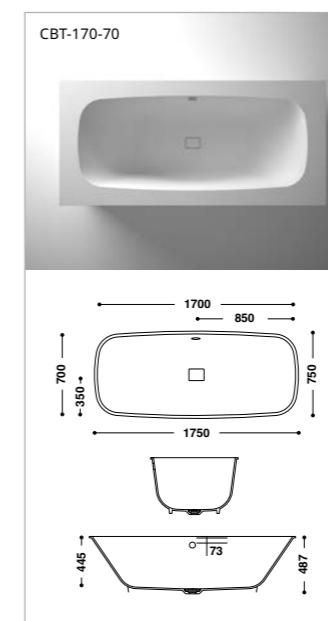
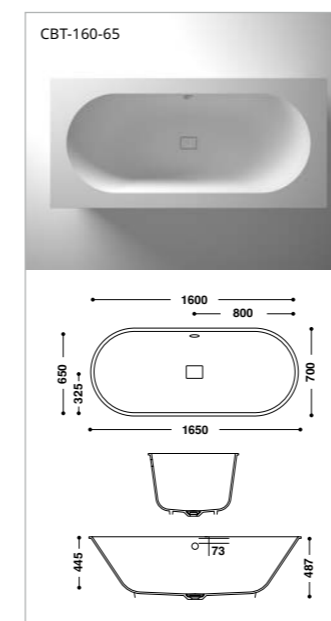
* Middle Drainhole



** Side Drainhole



** Side Drainhole



HIMACS Baths

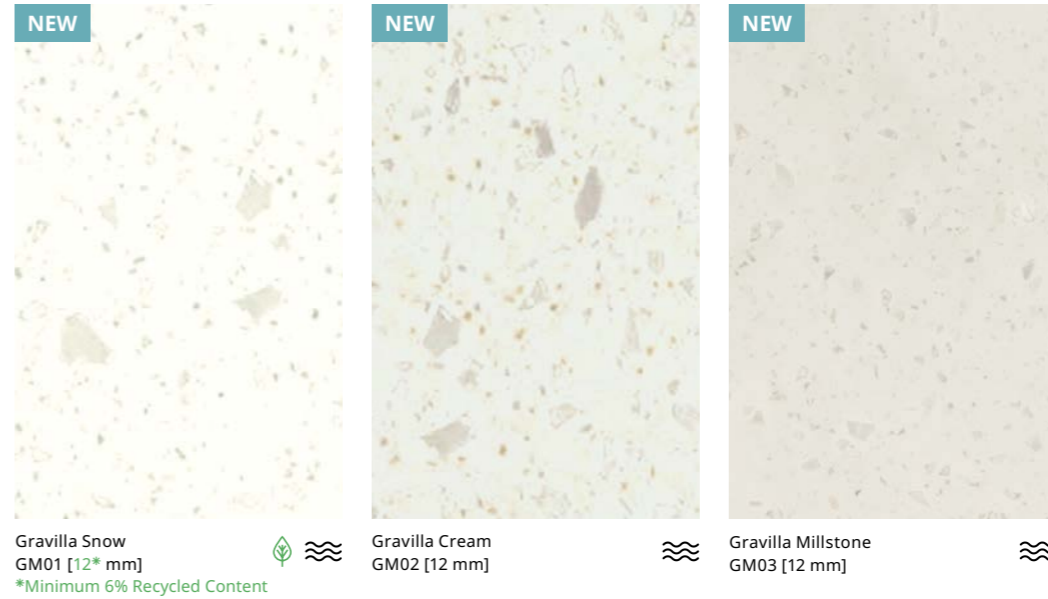
In addition to sinks, the bath is the heart of any bathroom. And now both elements are available in the same material. All baths are designed for integrated installation. Functional benefits of seamless connection: the result is a continuous hygienic surface that is especially easy to maintain.

Please note:

1. The delivery includes either the bath or shower tray (as shown in the sketch)
2. The matching installation material consisting of height-adjustable feet, a soundinsulating mat and a wooden stabilisation board will be an additional option and can be ordered separately as an accessory.
3. Sheet material is also needed to create the installation seen in the photos.

Gravilla

NEW
COLLECTION



The Gravilla collection follows the aesthetic veined trend of Aurora & Marmo combined with a granite particles inspiration thanks to the shorter veins and a chip effect. The new Gravilla colours have the benefit of being easier to fabricate with seamless joining, ideal for large surfaces such as shower or wall cladding in a bathroom, long, wide islands in the kitchen or monolithic reception desks with big aesthetic impact.



The colours for kitchen and bathroom

Colours are key in design: elegant Cream,
deep Black Sand or delicious Mocha Stone ...

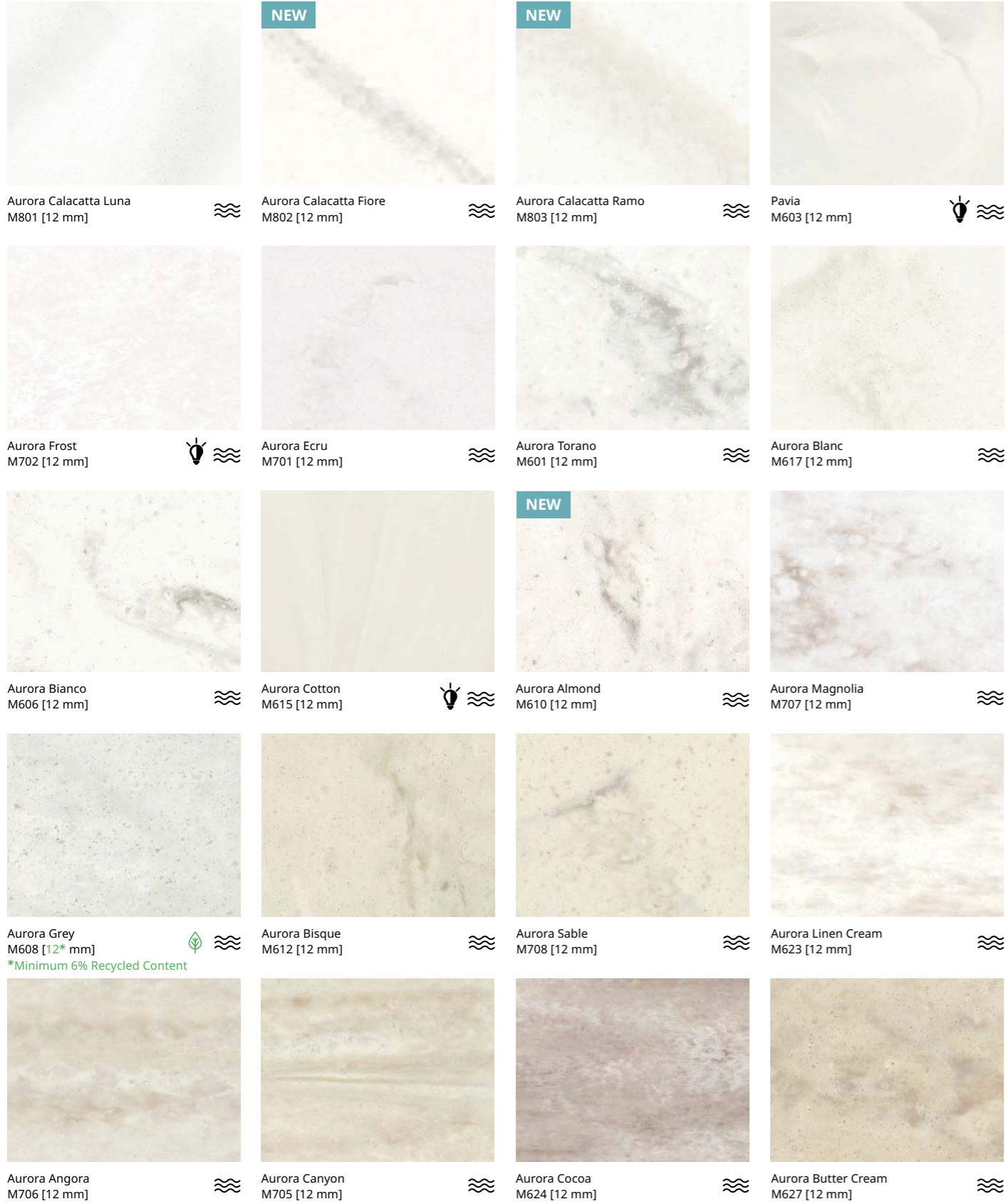
We have whatever you want – it's your choice.

20 mm: Colours indicated are available on stock. Other colours are available on special request except for Chic Concrete and Marmo Collection. Minimum quantities order apply.

Click here and discover
our complete colour range
on: lxhausys.com/eu

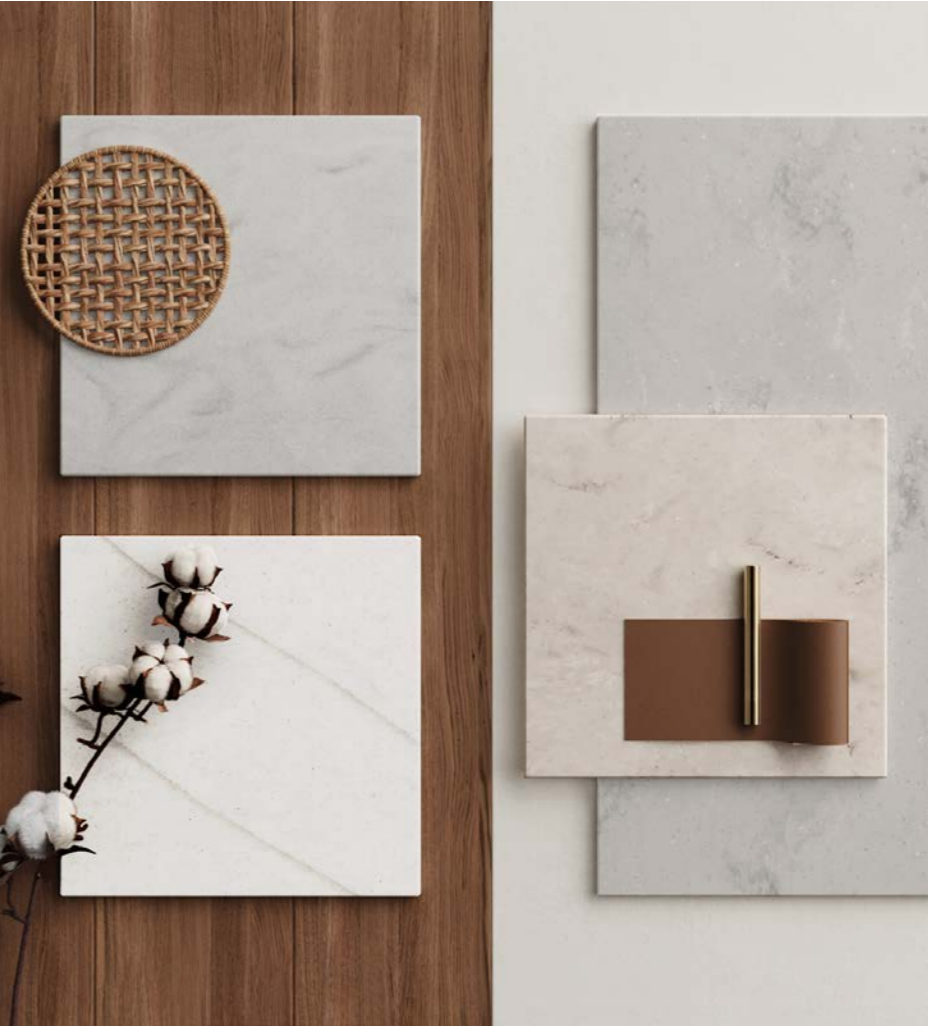
Aurora and Marmo

6 NEW COLOURS



The HIMACS Aurora and Marmo Collection provides colours to address the current trends for top-quality marble aesthetics, ranging from semi-translucent white, through shades of grey, to striking dark brown and anthracite tones.

6 new Aurora colours – an evolution of the Marmo Collection – have been added to the range combining aesthetics inspired by nature with all the benefits of the latest generation solid surface HIMACS.



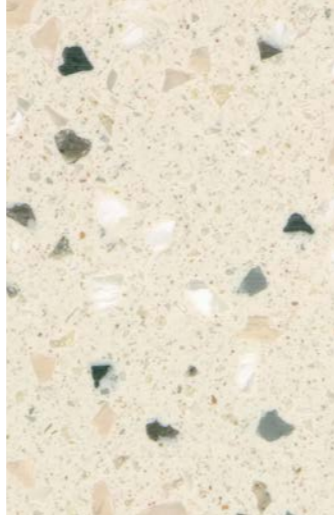
As these are randomly veined colours, specific fabrication guidelines need to be followed. Ask your sales partner for more information or visit: lxhausys.com/eu.

Colours with this mark have a semi-translucent effect, evident when combined with light sources.

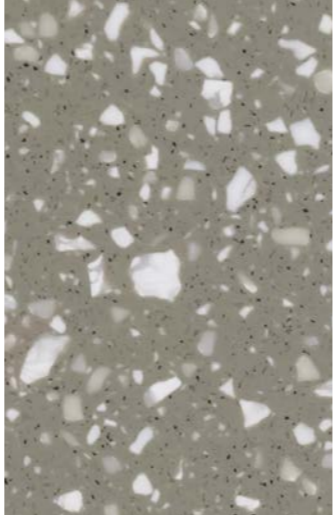
Terrazzo



Terrazzo has a long tradition as a material aesthetic: the coarse-grained look has offered the perfect blend of longevity and elegance since antiquity. HIMACS has now adopted the trend with two colours, which both combine perfectly with their typically coarse-grained, 'splattered' look. The Terrazzo Collection is especially suitable for the hospitality and gastronomy sector, as well as for any other high-traffic public building.



Terrazzo Classico Q001 [12 mm]

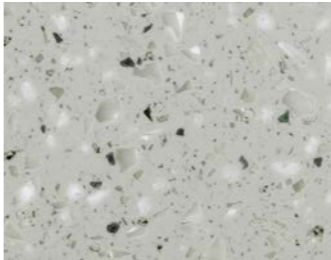


Terrazzo Grigio Q002 [12 mm]

Lucia



Ice Queen W001 [12* mm]
*Minimum 8% Recycled Content



Shadow Queen W003 [12* mm]
*Minimum 6% Recycled Content

This exceptional collection focuses on lively and harmonious textures that infuse each hue with distinct character and expression. It's no wonder that some of these remarkable colours were created by the renowned Dutch designer, Marcel Wanders himself. Embrace the purity and sophistication of this

collection as it harmonises the classic appeal of black, white, brown and grey with a contemporary twist. With textures that breathe life into each shade, this collection captures the essence of timeless elegance and sets the stage for you to express your unique style and creativity.



Design Collection by Marcel Wanders.

Concrete



Snow Concrete
G556 [12 mm]



Cloud Concrete
G557 [12 mm]



Urban Concrete
G554 [12 mm]



Chic Concrete
M551 [12 mm]



The industrial look of concrete combined with the incredible flexibility of HIMACS. The Concrete Collection adds huge opportunities for great designs to architects and designers.

As these are randomly veined colours, specific fabrication guidelines need to be followed. Ask your sales partner for more information or visit: lxhausys.com/eu.

Aster



Nebula
T010 [12 mm]



Andromeda
T017 [12 mm]

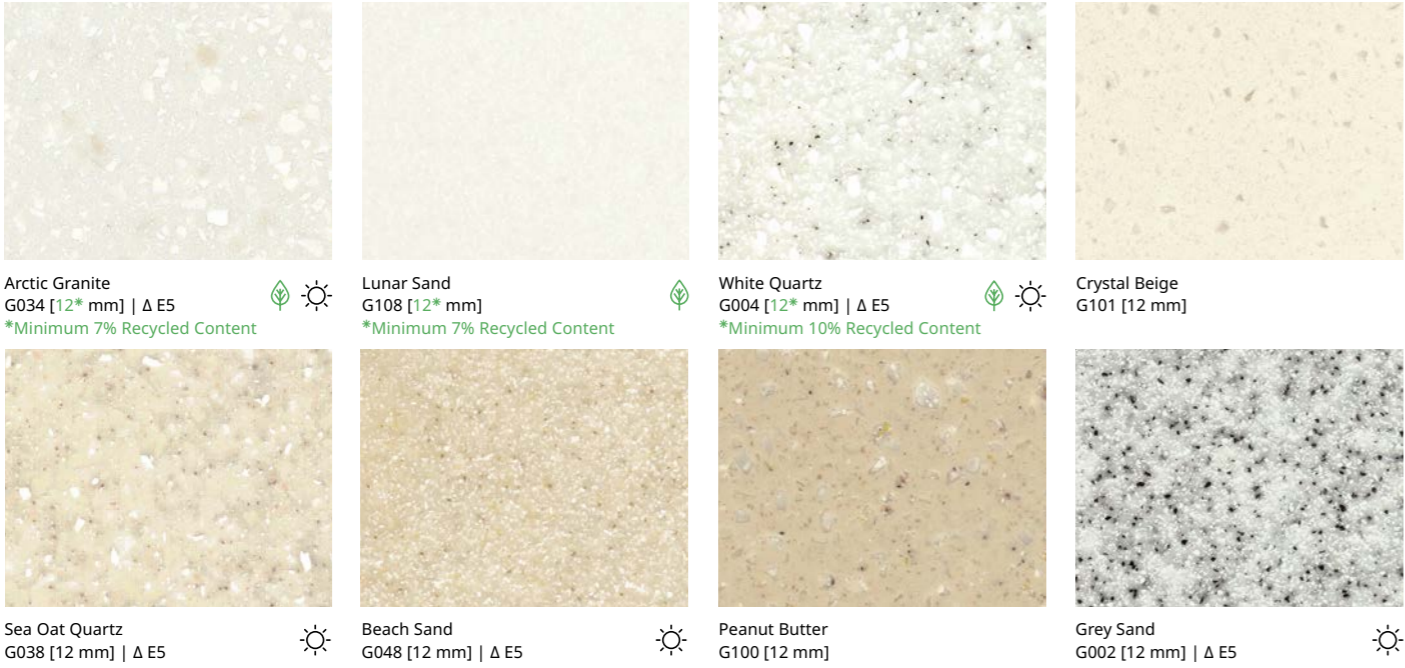


Venus
T011 [12 mm]

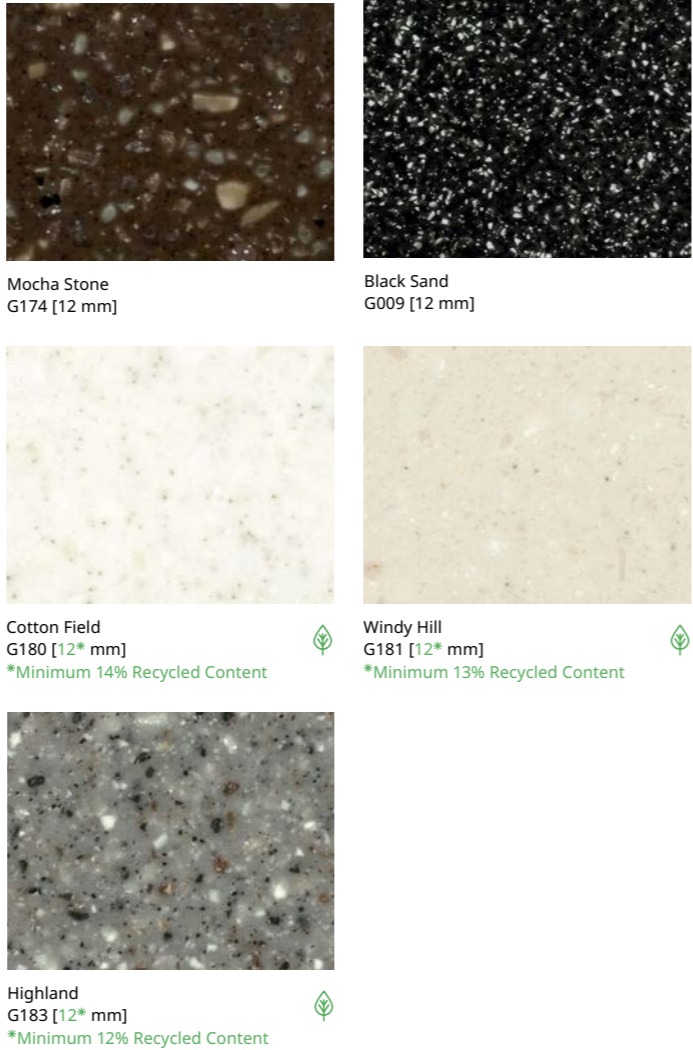
Aster is a collection of sophisticated warm beige tones, varying from warm white to a captivating deep beige, all with a gorgeous mother of pearl shimmer.



Granite, Quartz, Sand and Pearl

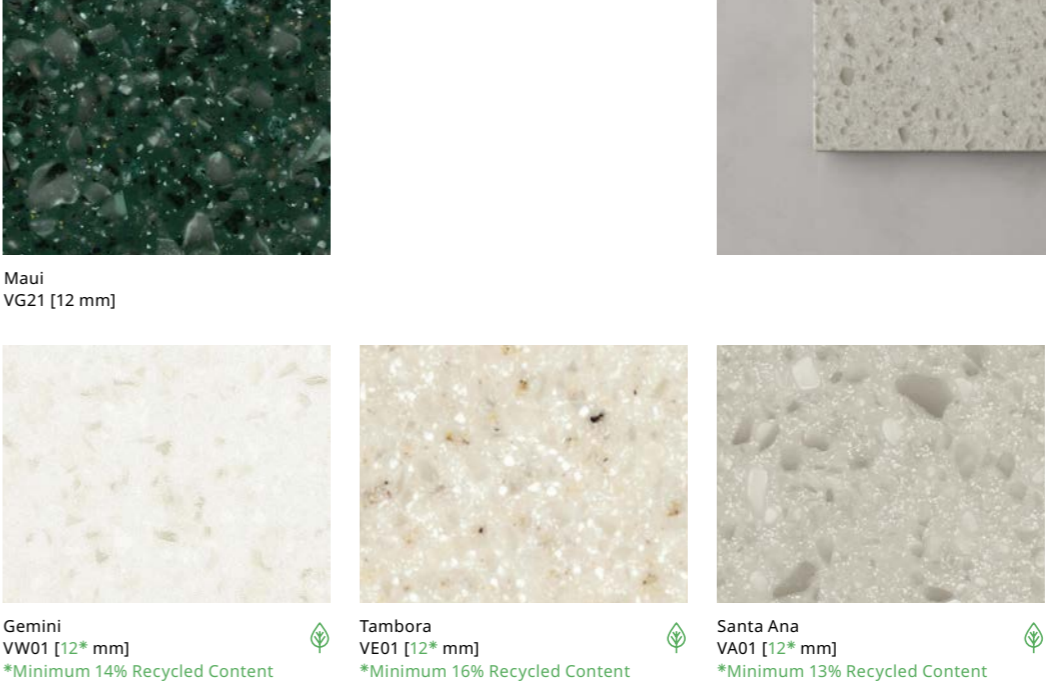
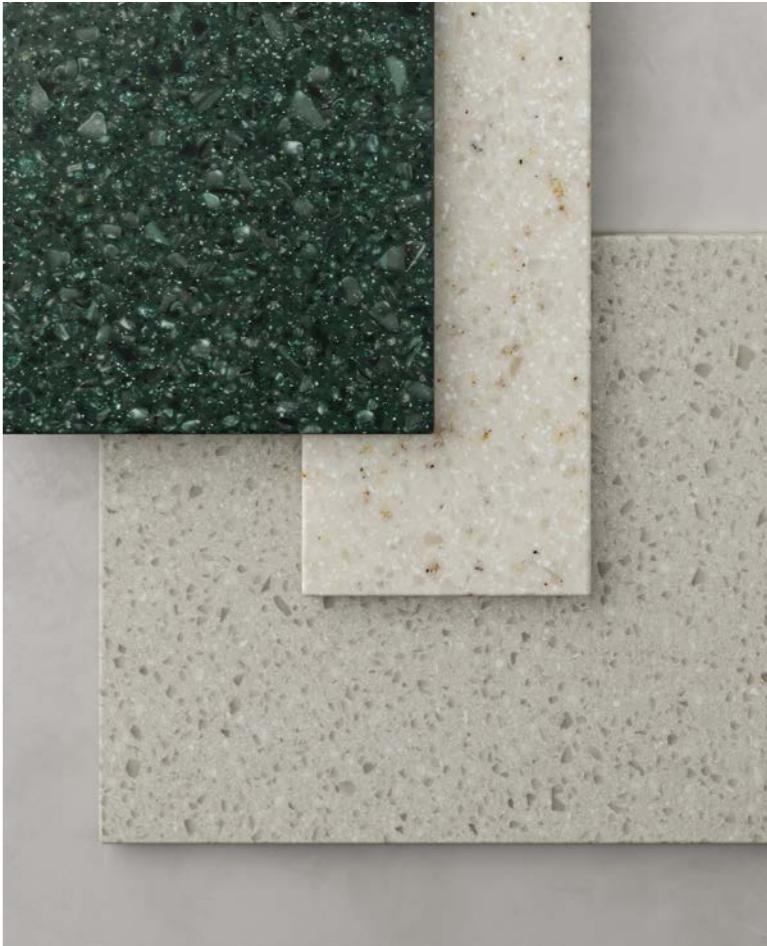


Ultimate elegance thanks to lively textures, harmonious natural tones and maximum subtleness. The Sand and Pearl, Granite and Quartz collections are perfect either alone or in combination with other colours.



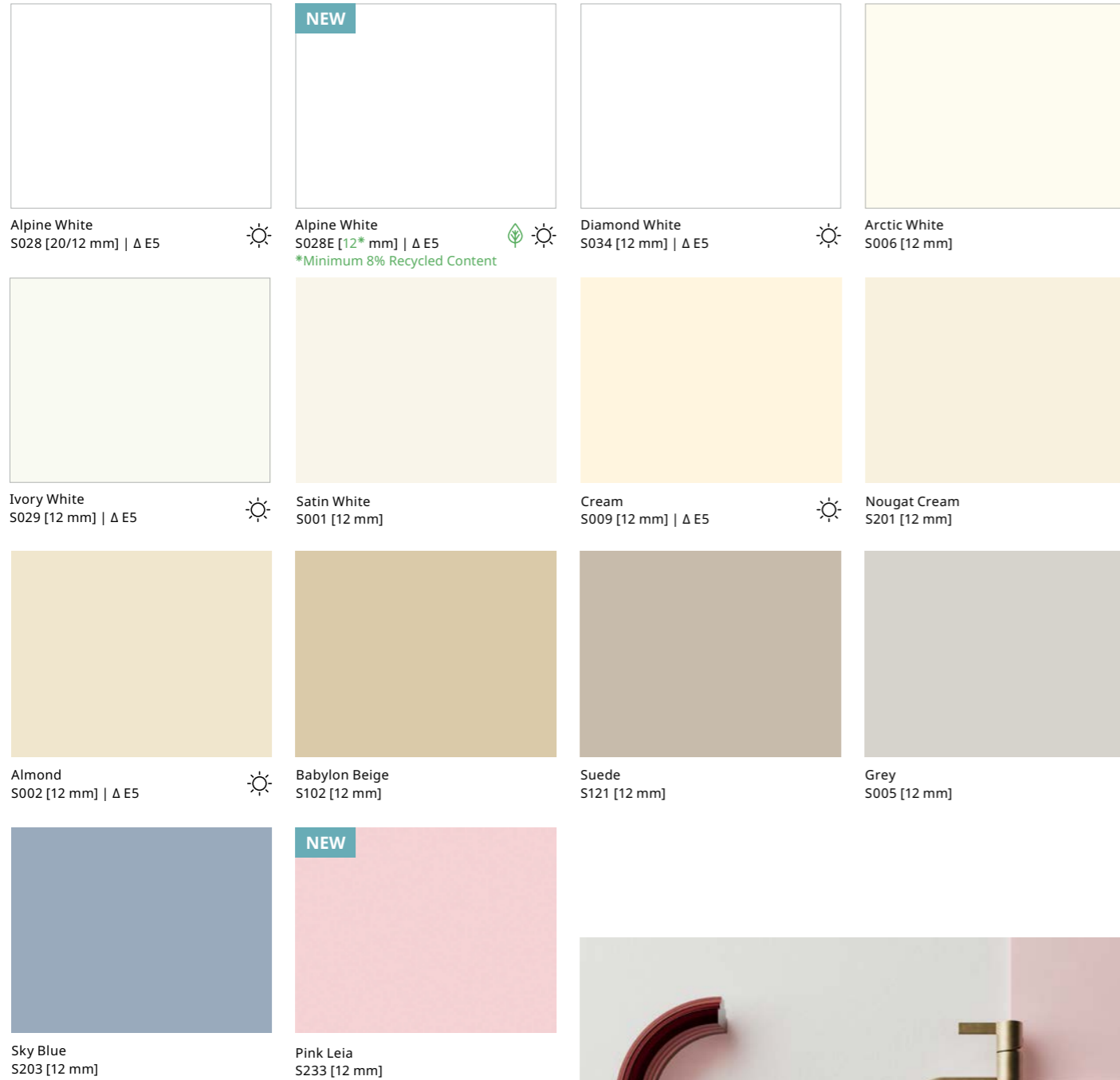
Volcanics

The large particles of the Volcanics shades add a sense of style to any design. When used on a large scale the result is a dramatic showpiece. Three colours from the Volcanics range contain recycled content for an environmentally friendly solution with a luxurious natural stone look.



- ☀ Suitable for exterior use. Please check conditions about level of suitability and warranty per colour.
- 🌿 Contains SCS certified pre-consumer recycled content.
- * SCS certified pre-consumer recycled content only applicable to the indicated thickness.

Solids



HIMACS solid surface is identical for every colour, although darker hues have a higher percentage of natural pigments, which need more careful care and attention. There may be some slight variation in colour between the illustrated and the sample due to printing techniques, colour may vary slightly from the sample.

Alpine White is also available in the special formulations S728 HIMACS-FR (Improved Fire Resistance) and S828 HIMACS UV+ (Improved UV resistance).

☀️ Suitable for exterior use. Please check conditions about level of suitability and warranty per colour.

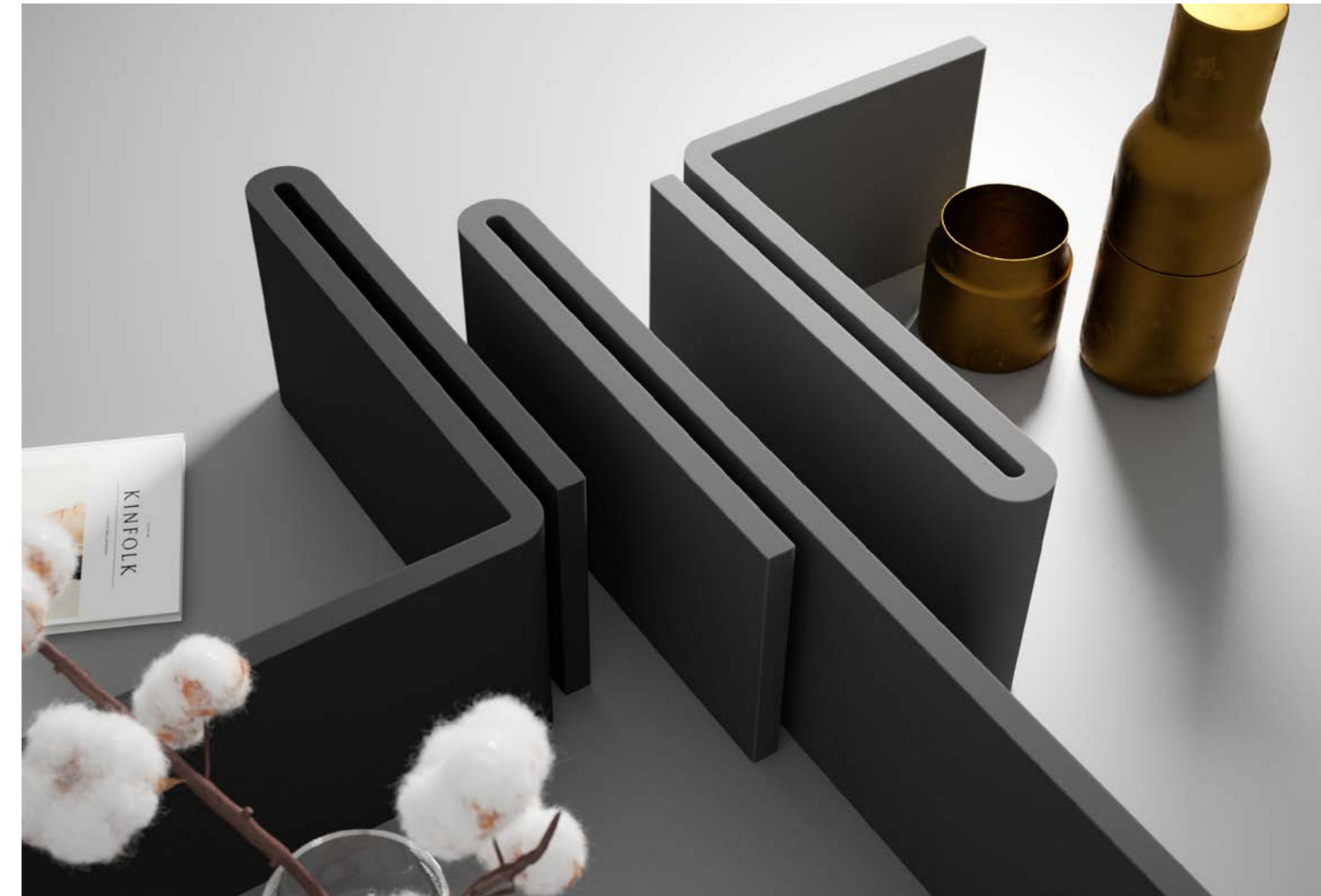
ΔE5 Important information for outdoor use. These colours change of less than or equal to 5 ΔE units in 10 years under normally predictable circumstances.

* SCS certified pre-consumer recycled content only applicable to the indicated thickness.

🌿 Certified to contain pre-consumer recycled content.

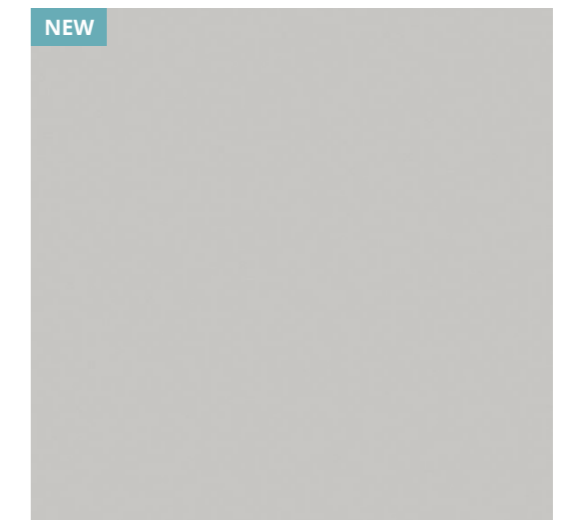


Intense Ultra



Small radii, intensive colouring: HIMACS Intense Ultra

HIMACS Intense Ultra combines intense colour technology with ultra-thermoforming. The effect: dark colours look even more intense, and the surface is significantly more durable and insensitive to scratching. HIMACS Intense Ultra can be moulded at a very lower internal radius of up to 6 mm without compromising on dark colours.



Intense Ultra Light Grey S925U [12* mm]
*Minimum 8% Recycled Content

Resistant for your benefit

CLASS	STAINING AGENT	APPLICATION TIME	EVALUATION OF G002 CHANGES	EVALUATION OF S028 CHANGES
GROUP 1	Water	16 h - 24 h	5 to 4	5 to 4
	Toothpaste			
	Hand cream			
	Natural fruit and vegetable juice			
	Lemonade and fruit drinks			
	Meats and sausages			
	Animal and vegetable fats and oils			
	Salt (NaCl) solutions			
	Mustard			
	Lyes, soap solutions			
	Cleaning solution			
	Alcoholic beverages			
	Phenol and chloramine-T disinfectants			
	Citric acid (10% solution)			
GROUP 2	Coffee (120gr coffee per ltr. water)	16 h	5	5 to 4
	Black tea (9gr tea per ltr. water)			
	Milk (all types)			
	Cola beverages			
	Wine vinegar			
	Alkaline-based cleaning agents (10% in water)			
	Lipstick			
	Water colours			
	Laundry marking inks			
	Ball point inks			
GROUP 3	Acetone	10 min.	5 to 4	5 to 4
	Concentrated vinegar (30% acetic acid)			
	Nail varnish			
	Nail varnish remover			
GROUP 4	Acetic acid (5% solution)	20 min.	5	4

· HIMACS is extremely hard-wearing and durable and transforms your kitchen or bathroom into a universally functional room.

· Tests carried out in accordance to EN ISO 19712 for Solid Surface material, please see table (left) for results.

a = Acids and alkalis, in concentrations stronger than those shown in group 3, which can be contained in commercial cleaning agents, can cause surface damage or marking, even with very short contact times. Any spillage of such materials should be washed off immediately.

Evaluation

RATING LEVEL	DESCRIPTION
Rating 5	No visible change
Rating 4	Slight change in gloss and/or colour, only visible at certain viewing angles
Rating 3	Moderate change in gloss and/or colour
Rating 2	Marked change in gloss and/or colour
Rating 1	Surface distortion and/or blistering

Inspiring trends and ideas for your new bathroom:
In cooperation with the renowned Dutch interior designer Marike Andeweg, a brochure has been created that uses many examples to show how perfectly HIMACS can be used in modern bathroom design.



Care and Maintenance

HIMACS the Solid Surface Material by LX Hausys is hard-wearing, durable and extremely resistant to stains and is therefore very easy to look after. Below are a few simple tips and hints for caring for HIMACS to help maintain its exceptional quality for many years to come.

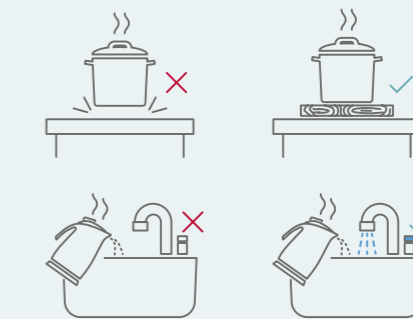
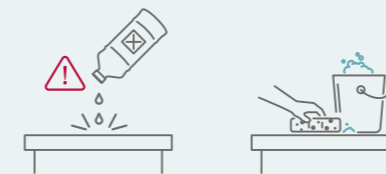


Tougher stains

Tougher stains, caused by food colouring, tea or fruit juice can easily be removed using a bleaching agent (do not leave in contact with the work surface for more than five minutes). Clean the surface with a domestic all-purpose cleaner and rinse with clean water. You can also use a scouring agent on matt finishes. Nail varnish can easily be removed with nail varnish remover (acetone-free) or a scouring agent.

General day-to-day stains

HIMACS is a completely homogenous material. As it does not have any pores, you can simply and easily clean it with a damp cloth or sponge and a mild detergent. You can also use a domestic scouring agent on all matt finishes. It is useful to wipe your surface occasionally with a scouring agent or wet sponge to retain the even finish of your product.



Hot objects and boiling water

Hot saucepans or pots straight out of the oven or from the hob should not be laid directly on the HIMACS surface. Place a mat or board underneath to prevent any damage to your product. If you pour boiling liquids into HIMACS sinks or basins, you should also pour in cold water at the same time. This also applies to the use of boiling water taps.

Acidic cleaning agents

A number of cleaning agents contain acids, such as methyl chloride or acetone. You should avoid using these on a HIMACS surface. Should one of these products accidentally come into contact with the material, as a precautionary measure you should rinse the surface with soapy water to prevent any discolouring taking place.



Sharp objects

HIMACS copes effortlessly with the wear and tear of everyday life, however pointed or sharp-edged objects can leave cuts or scratches on the HIMACS surface. You can repair smaller cuts and scratches without too much trouble but we recommend the services of a professional for especially deep cuts.

Burn marks

Small burn marks or marks caused by nicotine can simply be removed using a scouring agent or an abrasive sponge. Should this give the high-gloss finish a matt appearance, rubbing the surface with a scouring pad will quickly return it to its high-gloss state.

Please feel free to contact us for further information.

HIMACS. The shape of your ideas.

European Headquarters:
LX Hausys Europe GmbH
Lyoner Str. 15
Frankfurt am Main
Germany
himacseu@lxhausys.com

To see more kitchen and bathroom styles or to find the contact for your region, please visit our website.

lxhausys.com/eu



HIMACS is a registered trademark of LX Hausys. All other trademarks and product names are trademarks or registered trademarks of their respective rights owners. The information contained in this brochure is intended to be for information only and can be amended at any time without prior notification. ©2024. LX Hausys Europe GmbH. All rights reserved.

Publisher's Details:

Heinrich Hermes, heinrich-hermes.de | Roth kreativ GmbH, rother-punkt.de | Studio Hetzer, studio-hetzer.de | Studio Podrini, studiopodrini.com